



EXAM PAPERS PRACTICE

Boost your performance and confidence with these topic-based exam questions

Practice questions created by actual examiners and assessment experts

Detailed mark scheme

Suitable for all boards

Designed to test your ability and thoroughly prepare you

Level: HL IB in Biology

Subject: Biology

Topic: IB HL Biology

Type: Topic Question

2002

XVIII

1583

All International Baccalaureate IB Topic Questions HL Biology

BIOLOGY

HL - IB

Key skills

****Question 1****

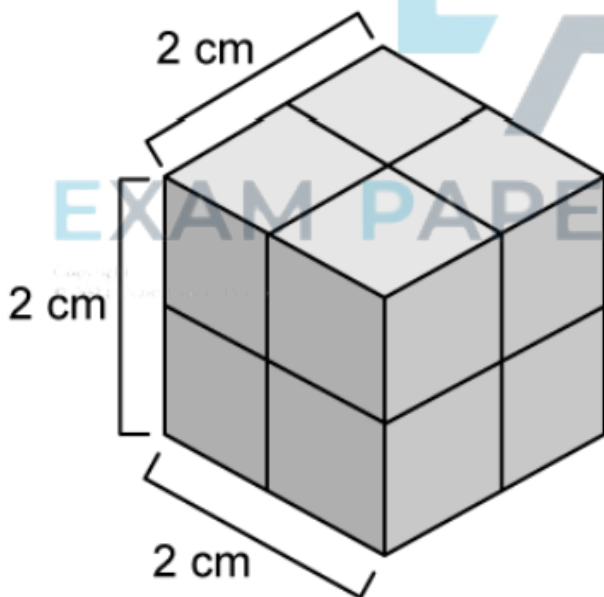
Which property of stem cells makes them suitable for use in medicine?

- A. They can differentiate into specialised cells
- B. They can produce chemicals that destroy viruses
- C. They can form gametes when they divide by mitosis
- D. They have chromosomes that are suitable for gene transfer

[1 mark]

****Question 2****

The cube below has sides that measure 2 cm in length.



Which of the following represents the correct surface area to volume ratio of this cube?

- A. 1:1
- B. 6:1
- C. 3:1
- D. 2:1

[1 mark]

****Question 3****

Stem cells can be classified based on their origin. Which of the following is ****not**** a source of stem cells used in research and therapy?

- A. Bone marrow
- B. Embryos
- C. Skin cells
- D. Neurons



[1 mark]

EXAM PAPERS PRACTICE

Copyright
© 2024 Exam Papers Practice